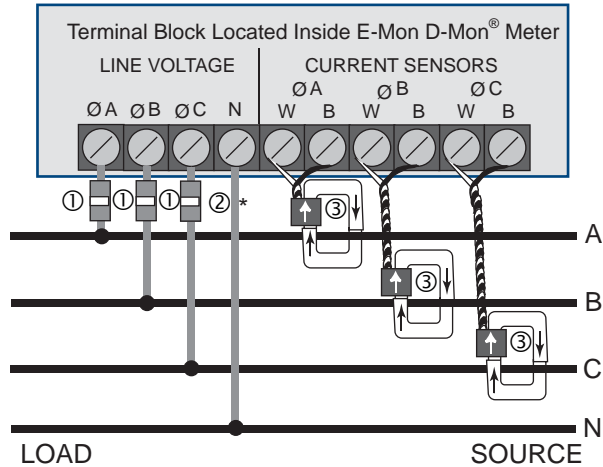
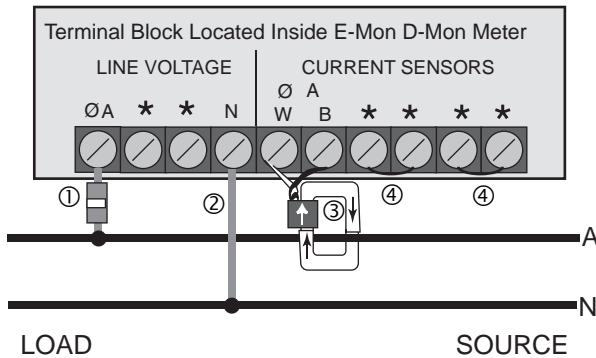


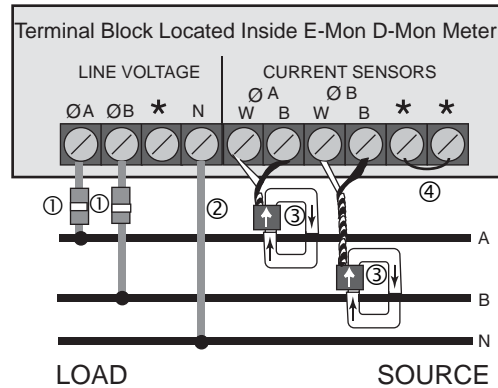
3-PHASE, 3-WIRE OR 3-PHASE, 4-WIRE INSTALLATION DIAGRAM (Class 2000 or 5000 Series Only)



1-PHASE, 2-WIRE 120 or 277 VOLT INSTALLATION DIAGRAM (Class 1000 Series Only)



SINGLE-PHASE, 3-WIRE 120/240, 120/208 or 480 VOLT INSTALLATION DIAGRAM (Class 1000, 2000 or 5000 Series)



* These terminals are not used in Class 1000 installations.

- ① Recommended fuses or circuit breaker per the National Electrical Code (Meter load 6VA.)
- *② Neutral not used in delta system.
- ③ Split-core current sensors. Install according to instructions.
- ④ Install jumper wire.

Typical Fuses: Littlefuse KLDL100 (100 ma) Not included. (Consult local electrical codes for requirements.)