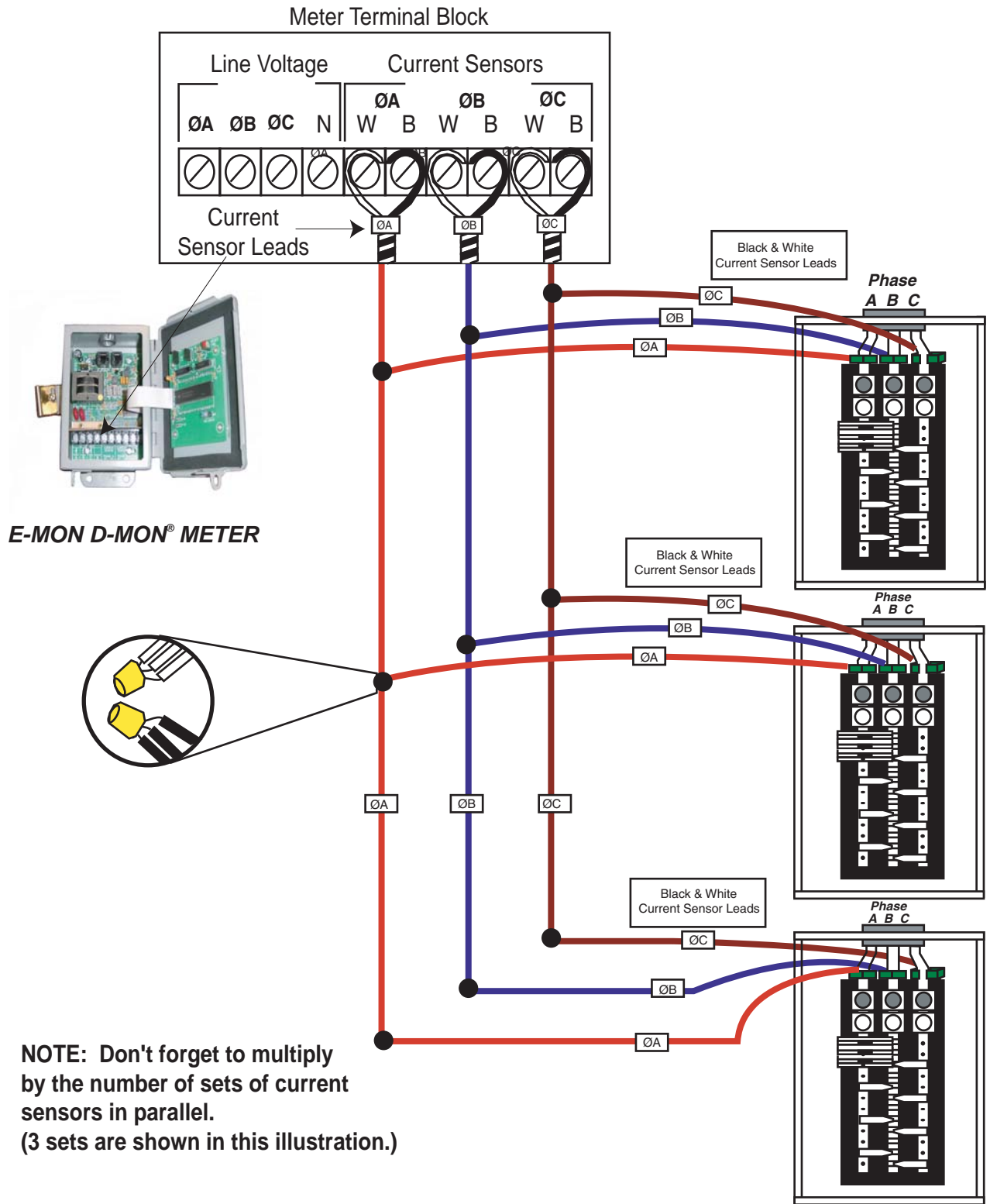


PARALLEL CURRENT SENSOR INSTALLATION DIAGRAM

E-Mon D-Mon

Energy Monitoring Products & Systems



E-MON D-MON[®] METER

NOTE: Don't forget to multiply by the number of sets of current sensors in parallel. (3 sets are shown in this illustration.)

E-Mon[®]
Energy Monitoring Products